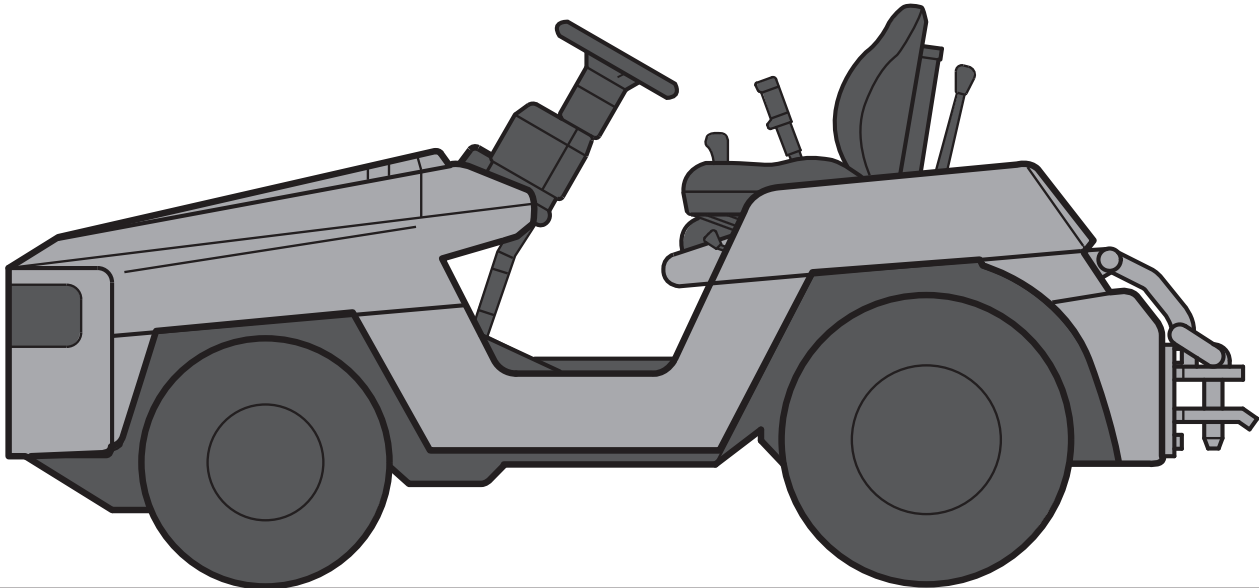


2TG/2TD

26.0 to 33.0 ton
Engine Towing Tractor



26,000 - 33,000 kg

MAIN VEHICLE SPECIFICATIONS

Characteristics	1.1		TOYOTA		TOYOTA			TOYOTA		TOYOTA		
	Manufacturer		2TG20 ¹⁾	02-2TG20 ²⁾	2TD20 ¹⁾	02-2TD20 ²⁾	52-2TD20 ²⁾	2TG25 ¹⁾	02-2TG25 ²⁾	2TD25 ¹⁾	02-2TD25 ²⁾	52-2TD25 ²⁾
	1.2	Model										
	1.3	Power unit			gasoline		diesel		gasoline		diesel	
	1.4	Operator type			rider seated		rider seated		rider seated		rider seated	
	1.5	Load capacity/rated load	Q	kg	26000 ³⁾		26000 ³⁾		33000 ⁴⁾		33000 ⁴⁾	
	1.9	Wheelbase	y	mm	1600		1600 1710		1600		1600 1710	
Weight	2.1	Truck weight		kg	3190 3210		3230 3250 3350		3980 4000		4020 4040 4140	
	2.2	Axle loadings laden front/rear		kg								
	2.3	Axle loadings unladen front/rear		kg	990/2200 1000/2210		1030/2200 1040/2210 1070/2280		980/3000 990/3010		1020/3000 1030/3010 1060/3080	
Tyres, chassis	3.1	Tyres - pneumatic (P), pneumatic shaped cushion (SE)			P		P		P		P	
	3.2	Tyre size - front			165R13-8PR(LT)		165R13-8PR(LT)		165R13-8PR(LT)		165R13-8PR(LT)	
	3.3	Tyre size - rear			28x8-15-12PR(I)		28x8-15-12PR(I)		28x8-15-12PR(I)		28x8-15-12PR(I)	
	3.5	Wheels - number front/rear (x = drive wheel)			2/2x		2/2x		2/2x		2/2x	
	3.6	Track width - front	b ₁₀	mm	1225		1225		1225		1225	
	3.7	Track width - rear	b ₁₁	mm	1190		1190		1190		1190	
Dimensions	4.8	Seat height	h ₇	mm	1000		1000		1000		1000	
	4.12	Coupling height	h ₁₀	mm	450		450		450		450	
	4.17	Overhang	l ₅	mm	570		570		570		570	
	4.19	Overall length	l ₁	mm	3020		3020 3130		3020		3020 3130	
	4.21	Overall width	b ₁	mm	1420		1420		1420		1420	
	4.32	Ground clearance, centre of wheelbase	m ₂	mm	150		150		150		150	
	4.35	Turning radius	W _a	mm	3050		3050 3200		3050		3050 3200	
Performance	5.1	Travel speed laden/unladen		km/h	25 ^{5)/27} 24 ^{6)/26}		25 ^{5)/27} 24 ^{6)/26} 26 ^{6)/30} [26]		25 ^{5)/27} 24 ^{6)/26}		25 ^{5)/27} 24 ^{6)/26} 26 ^{6)/30} [26]	
	5.6	Max. drawbar pull		N	20500		20500		24500		24500	
	5.8	Max. gradeability unladen		%	46		46		46		46	
	5.10	Service brake			hydraulic		hydraulic		hydraulic		hydraulic	
	Engine	7.1	Engine manufacturer/type			TOYOTA 4Y		TOYOTA 1DZ-III TOYOTA 3Z		TOYOTA 4Y		TOYOTA 1DZ-III TOYOTA 3Z
7.2		Engine power acc to ISO 1585		kW	39.7		38 43.4		39.7		38 43.4	
7.3		Rated speed		1/min	2400		2400 2300		2400		2400 2300	
7.4		No. of cylinders/displacement		cm ³	4/2237		4/2486 4/3469		4/2237		4/2486 4/3469	
7.5		Fuel consumption acc to VDI cycle		l/h								
Others	8.4	Sound level at the driver's ear according to EN 12 053		dB(A)				73			80 80	
	8.5	Towing coupling, type DIN										

¹⁾ Manual transmission.

²⁾ Automatic transmission.

³⁾ Load capacity with one trailer. Load capacity with a train of two or more trailers = 39000 kg.

⁴⁾ Load capacity with one trailer. Load capacity with a train of two or more trailers = 49000 kg.

⁵⁾ With 10 ton load.

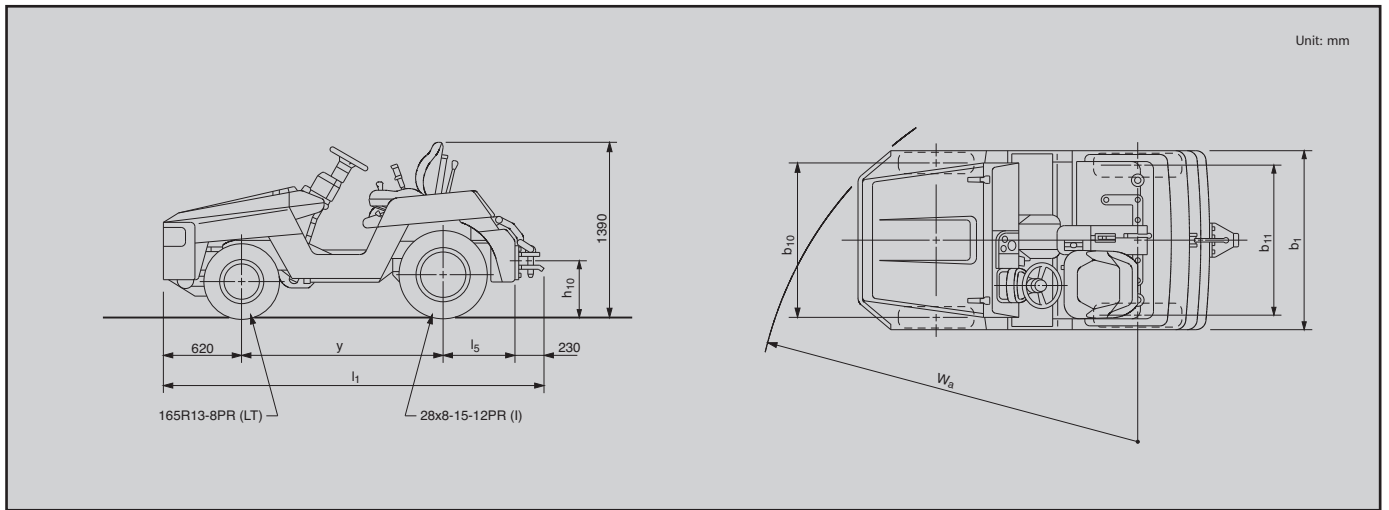
[] for low-gear specification model, unladen.

TOWED WEIGHT

Model	Level Start (with one trailer)		Start on Grade (with one trailer)	
	2TG20 2TD20 52-2TD20	2TG25 2TD25 52-2TD25	2TG20 2TD20 52-2TD20	2TG25 2TD25 52-2TD25
	kg	kg	kg	kg
Surface Condition (Dry Even Concrete)				
Level Road	26000*	33000*	-	-
Grade (Degrees)	1°	26000*	19000	24000
	2°	26000	15000	19000
	3°	23000	13000	16000
	4°	18000	11000	14000
	5°	15000	9500	12000
	6°	12000	8200	10000
	7°	10000	7200	9300
	8°	9300	6400	8200
	9°	8100	5600	7300
	10°	7100	5000	6500

*Towed weight can be increased by 50% when pulling two or more trailers.

DIMENSIONAL DRAWINGS



2TG20.25, 2TD20.25

- Toyota OPS (Operator Presence Sensing)
- Pneumatic tyres
- Power Steering
- 7" cyclone air cleaner
- Pin type single stage drawbar
- Headlights
- Rear combination lights
- Integrated Monitoring Center
- Tilt Steering Column

Specifications are based on Toyota testing standards.

Operating performance may vary depending on the actual specification and condition of the truck as well as the condition of the operating area.

Continuous improvements make it necessary for us to reserve the right to make specification and equipment changes.

Specifications are subject to manufacturing tolerances. Availability and specifications are determined regionally. Please consult your Toyota representative for more details.